

Omega Design's

LABELSYNC™

Unit Code Association System for Bottles

PROTECT AGAINST:

- Recalls
- Incorrect product
- Allergens
- Contamination
- Improper Labeling

LabelSync provides up to 360° label code inspection to ensure only verified product moves downstream. With fail-safe programming and an integrated reject station, this unit can reduce recalls and protect your brand. This flexible solution can sync a label code with a secondary line code (on the top or bottom of a bottle) and send that data to a client's data management software. This system is ideal for many industries: Food & Beverage, Consumer Goods, and Life Sciences.

HIGHLIGHTS

- Handles high speed applications
- Ready to integrate with serialization data management software and vision providers
- Fail-safe programming

STANDARD FEATURES

- Camera integration hardware
- Connectivity to data management software
- Touch screen interface
- Automatic bottle spacing belts
- Integrated reject station with air jet blow-off
- Split voltage enclosure supports NFPA 70E

OPTIONS

- Integrated top/bottom coding with visible or UV ink
- Reject pusher for handling heavier product
- Omega-supplied Cognex camera array



360° Camera array



Model Shown:
LS360

www.OmegaDesign.com

Tel: 1-610-363-6555

OMEGA
DESIGN CORPORATION

UTILITIES:

- Voltage: 120 VAC / 60 Hz
- Air: 6-10 SCFM @ 80 psig
- Utilities may vary per client specifications

PRODUCT:

- Volume: 30cc - 1500cc
- Dimensions: contact Omega
- Profile: round or rectangular bottles

CONSTRUCTION:

- Stainless steel and anodized aluminum construction
- Casters with leveling legs
- Allen-Bradley CompactLogix PLC
- Allen-Bradley PowerFlex VFDs

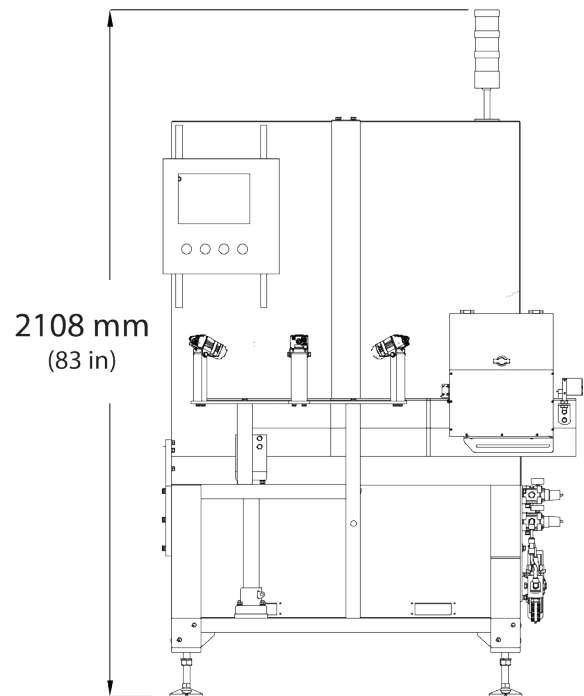
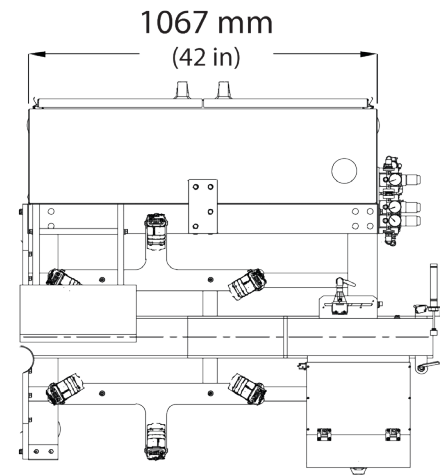
PRINTER (OPTIONAL):

- Continuous Inkjet (CIJ) or Ultra-Violet (UV) laser
- UV or visible ink

SPEED:

- Up to 300 bottles per minute

Model	LabelSync	Cameras
LS90	Single camera reads label code on a known bottle face; ideal for rectangle bottles	1
LS180	LS90 plus a top or bottom camera to read a secondary code; ideal for rectangle bottles	2
LS360	Multiple cameras read label code from all angles (360°); ideal for round bottles	6
LS450	LS360 plus a top or bottom camera to read a secondary code; ideal for round bottles	7



Auto Spacing Belts



Inline CIJ Printer



Reject Station



Reminder Ask about our excellent track record of on-time deliveries and industry-leading FATs. Better yet, read what our clients have to say: www.omegadesign.com/testimonials